



MusterTraxx

RFID Passive Mustering Solution

Personnel, Visitor and Vehicle Accountability



In a disaster, assumptions relative to non-passive personnel mustering fail. Personnel that perceive danger respond to their panic and the need for safety, with little to no concern about mustering protocols.

MusterTraxx enables personnel and visitor mustering by passively encircling facilities with directional (linear) RFID radio wave zones. RFID Premises gates and facility doorways also passively muster personnel. Short-range RFID fixed readers and portable readers or tablets/phones can be utilized for non-passive personnel mustering and accountability. RFID ensures accurate and current personnel mustering reports.



MUSTERTRAXX IS ENTERPRISE-CLASS DATABASE MANAGEMENT SOFTWARE SUPPORTING UHF AND ACTIVE RFID TECHNOLOGY. MUSTERTRAXX PROVIDES RFID-ENABLED PERSONNEL AND VISITOR MUSTERING AND INTEGRATION WITH ACCESS CONTROL, CAMERA AND INTRUSION DETECTION SYSTEMS. MUSTERTRAXX DELIVERS OPTIMIZED PERSONNEL/VISITOR ACCOUNTABILITY AND SAFETY.

MUSTERTRAXX PROVIDES INSTANTANEOUS MUSTER DATA SHOWING STAFF AND VISITORS THAT ARE ON-PROPERTY, OFF-PROPERTY, IN-BUILDING(S) OR OUT-OF -BUILDING(S). FIRST RESPONDERS RECEIVE ACCURATE AND CURRENT MUSTER DATA, INCLUDING SUPPORT FOR LONG-RANGE MOBILE RFID SCANNERS WITH BEEPS, COLOR-SCALE AND NUMERIC INDEX TO LOCATE PERSONS IN BUILDING(S) OR ON-PROPERTY .



Egress Point, Property and Gate RFID Zones



RFID readers and antennas can be placed at gates with AB-BA (In versus Out directionality) to cover all gates at all times and/or RFID readers and antennas can be targeted at each incoming and/or outgoing traffic lanes. Directional readers and antennas can be placed around a facility to detect persons in-the-building versus out-of-the building but not yet exited through gate. Primary or all facility doorways can also be outfitted with RFID for In-Building versus Out-Building time/date data.

Tag

Staff and visitors are issued ID cards that transmit their location based on a defined time interval. The RFID tags can include a computer chip to fully integrate RFID and HID access control systems with a single ID card. Tags can include 'duress' button to create alert status.

Detect

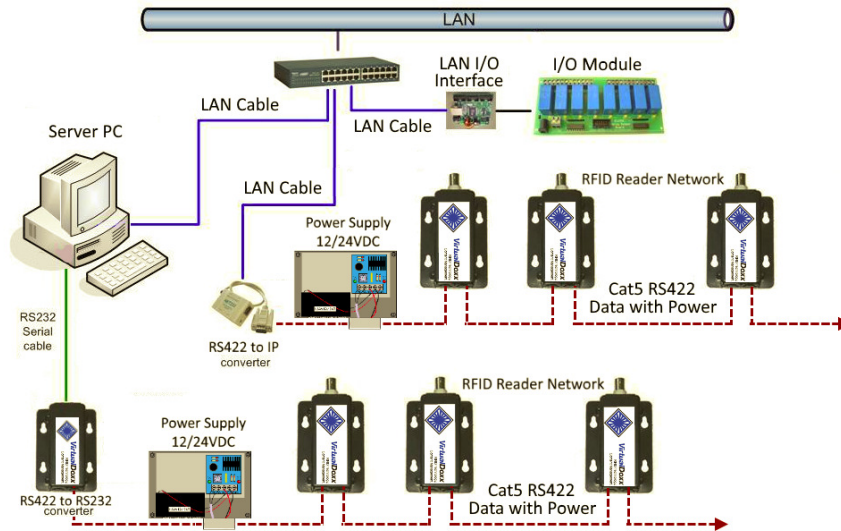
Tagged personnel and visitors are automatically detected by internal, ingress/egress, external and gate/property RFID detection zones with up to 1,500' range. MusterTraxx generates ad hoc reports of staff and visitors to isolate their exact location and muster status.

Find

Portable RFID scanners enable staff within buildings or on-grounds to be found at distances up to approx. 1,500'. Scanner device uses color-scale, numeric index and frequency of beeps to look for all people on 'On Premises / In Building' and guide User right to a person(s).



Technical Architecture



Active RFID readers can be connected to internal networks and servers, through Ethernet drops, existing network(s) and existing server(s). Active RFID readers can also be installed on independent serial and wireless mesh network(s), independent of an organization’s existing networking resources. RFID data can be pushed to cloud servers through long range radio communications, and can also be saved onto tablet devices enclosed at each reader. MusterTraxx works whether a facility’s power and IT resources are intact, or, if ‘all systems are down’, creating redundancy and layered approaches to muster data.

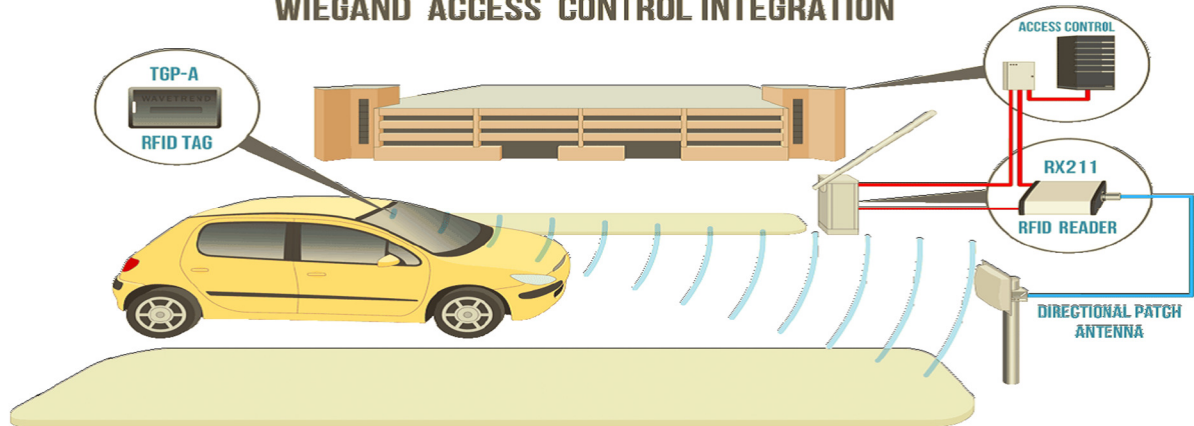
MusterTraxx delivers data to first responders and other constituents on a real-time basis, isolating personnel and visitors that are on-grounds and in-buildings. Recovery personnel utilize the muster list with long-range mobile scanners to find personnel and visitors wherever they may be located on-grounds or in a building. With active RFID’s long range capabilities, even large facilities can be covered through a minimal # of in-building RFID detection zones to further isolate a person’s location in-building. Muster reports provide first responders the exact data that they need to do their jobs:

Example Muster Report – December 5, 2016 3:29:13 PM

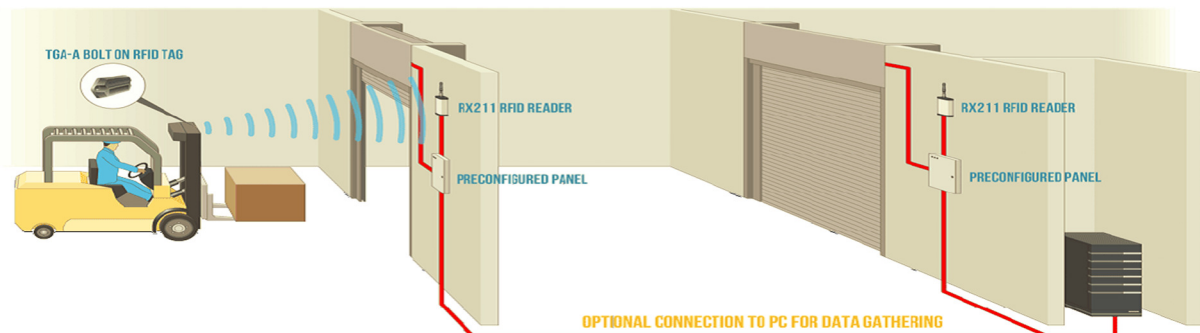
Status	Name	Last Seen At	Date/Time
Onsite	Collins, Eric D	Main Gate – Inbound	Dec 5, 2016 7:44:15 AM
Onsite	Roth, Philip	Building Entry - Inbound	Dec 5, 2016 7:44:42 AM
Onsite	Smith, Susan M	Building Entry - Inbound	Dec 5, 2016 7:45:09 AM
Onsite	Jones, Fred R	Main Gate – Inbound	Dec 5, 2016 8:01:10 AM
Offsite	Hamilton, Franklin	Main Gate - Outbound	Dec 5, 2016 3:27:01 PM
Offsite	Doystoevski, Fyodor	Main Gate - Outbound	Dec 5, 2016 3:27:25 PM
Grounds	Doe, John M	Building Exit - Outbound	Dec 5, 2016 3:27:56 PM
Grounds	Williams, Martha J	Building Exit - Outbound	Dec 5, 2016 3:28:01 PM
Onsite	Faulkner, William	Cafeteria	Dec 5, 2016 3:28:03 PM
Grounds	Hesse, Hermann	Parking Lot Zone C	Dec 5, 2016 3:28:44 PM
Offsite	Cobb, Tyrus R	Delivery Gate – Outbound	Dec 5, 2016 3:29:12 PM
Offsite	White, Elizabeth	Main Gate - Outbound	Dec 5, 2016 3:29:13 PM

MusterTraxx Software

WIEGAND ACCESS CONTROL INTEGRATION



A single instance of MusterTraxx software supports unlimited data views and data fields about people and objects. MusterTraxx provides state-of-the-art mustering capabilities, along with support for tagging and tracking any type of person or object. With tags that emit a beacon that defines the tag's exact location, and long range antennas configurable to read at varying distances, location and situational awareness can be attained that has never before been possible.



Representative Customers

U.S. Air Force
U.S. Department of Homeland Security
U.S. Department of Transportation
U.A.E. Department of Civil Defense
Saudi Arabia Royal Guard
Trinidad-Tobago Police Services
Canada Supreme Court
Botswana Ministry of Infrastructure
Hugh Wooding Law School
Baton Rouge Police Department
Bermuda Regiment



Virtual Doxx Corporation

www.personnelmustering.com

www.virtualdoxx.com

info@virtualdoxx.com

877-280-RFID (7343)

Contact our Local Distributor