



## RFID Worker Safety Solution

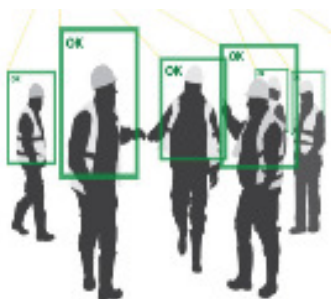


RFID readers and alarms/lights mounted on moving equipment and vehicles and personnel RFID tags are calibrated for safety distances, such as 15' or 100'+. If moving equipment or a vehicle moves into the defined proximity distance of a tagged worker, the alarm and light alerts are triggered on the equipment or within vehicle.

- Motorized Equipment RFID Reader / Personnel Tag Anti-Collision
- Loan Worker Location Tracking, Duress Alerts and Movement Monitoring
- Effective Mustering Through Passive Tracking of Personnel and Visitors
- Ability to Find 1<sup>st</sup> Responders and workers with Movable Radio-Wave Scanner



STUDIES INDICATE THAT A WORKER DIES EVERY 15 SECONDS FROM A WORK-RELATED ACCIDENT, AND 153 MORE ARE HURT. THAT'S 317 MILLION ACCIDENTS ON THE JOB ANNUALLY, WITH MANY RESULTING IN EXTENDED ABSENCES FROM WORK. NEW EMPLOYEES ARE HIT THE HARDEST WITH A 300% GREATER CHANCE OF A LOST-TIME INJURY, COMPARED TO WORKERS WHO HAVE BEEN ON THE JOB FOR MORE THAN A YEAR. THE COSTS, PUBLICITY AND REGULATORY ENVIRONMENT SURROUNDING WORKER SAFETY MAKE IT MORE IMPORTANT THAN EVER TO INCORPORATE TECHNOLOGY AND SOFTWARE AS REQUIRED FOR WORKER SAFETY AND ACCOUNTABILITY. SMARTTRAXX DELIVERS 'BEST PRACTICES' RFID PERSONNEL AND VISITOR LOCATION AND SITUATIONAL TRACKING.



# RFID Worker Safety Solution



SmartTraxx PA utilizes RFID technology to provide enterprise-wide visibility at any single monitoring point, such as a door or gate, or large indoor/outdoor areas with RF zones that can be 1,000's of feet. RFID technology enables pinpointing of personnel/visitor locations real-time and to within a few feet, by integrating both, long-range RTLS and close-range RFID zonal detection, in a single system, providing precise real-time worker visibility and perimeter and/or zonal security.

## Collisions

RFID readers and alarms/lights mounted on moving equipment and vehicles and personnel RFID tags are calibrated for safety distances, such as 15' or 100'+. If moving equipment or a vehicle moves into the defined proximity distance of a tagged worker, the alarm and light alerts are triggered on the equipment or within a vehicle.

## Lone Workers

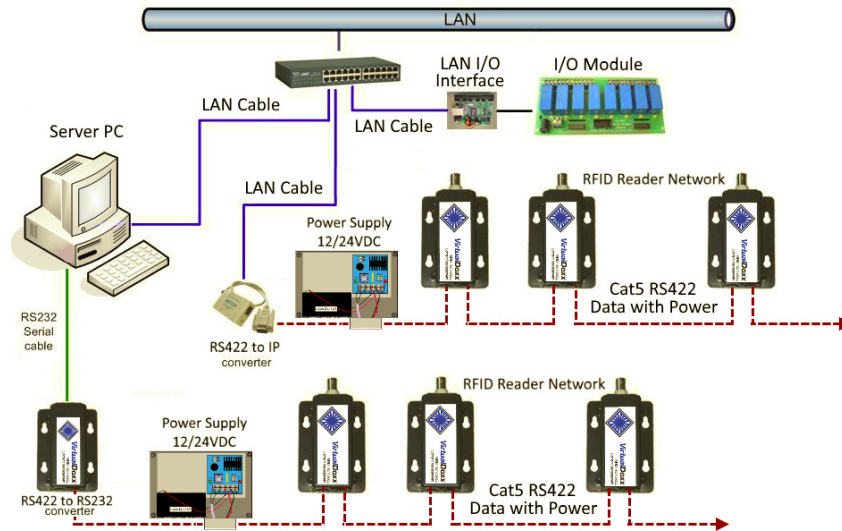
RFID motion tags indicate when a person has stopped moving (man-down), with duress button so that staff can send need-help messages. Security personnel and 1<sup>st</sup> Responders can also utilize mobile RF scanners to find personnel or visitors from up to approximately 1,500', guiding the User right-to the person's location.

## Mustering

Effective mustering requires passive RFID tracking versus muster point tracking, to accurately identify visitors and their real-time locations during an emergency or disaster. Accurate muster data ensures that workers and visitors that have not been mustered are identified and their most precise current location is defined. Mobile scanners find workers from 1,000'+.



# Technical Architecture



Active RFID readers can be connected to internal networks and servers, through Ethernet drops, existing network(s) and existing server(s). Active RFID readers can also be installed on independent serial and wireless mesh network(s), independent of an organization's existing networking resources. RFID data can be pushed to cloud servers through long range radio communications, and can also be saved onto tablet devices enclosed at each reader.

SmartTraxx delivers data to the personnel / visitor computerized tracking system, updating the physical locations of personnel and visitors real-time and providing 1st responders & security personnel real-time data, isolating personnel and visitors that are on-grounds and in-buildings. Recovery personnel utilize the muster list with long-range mobile scanners to find personnel and visitors wherever they may be located on-grounds or in a building. With active RFID's long range capabilities, even large facilities can be covered through a minimal # of in-building RFID detection zones to further isolate a person's location in-building. Muster reports provide first responders the exact data that they need to do their jobs:

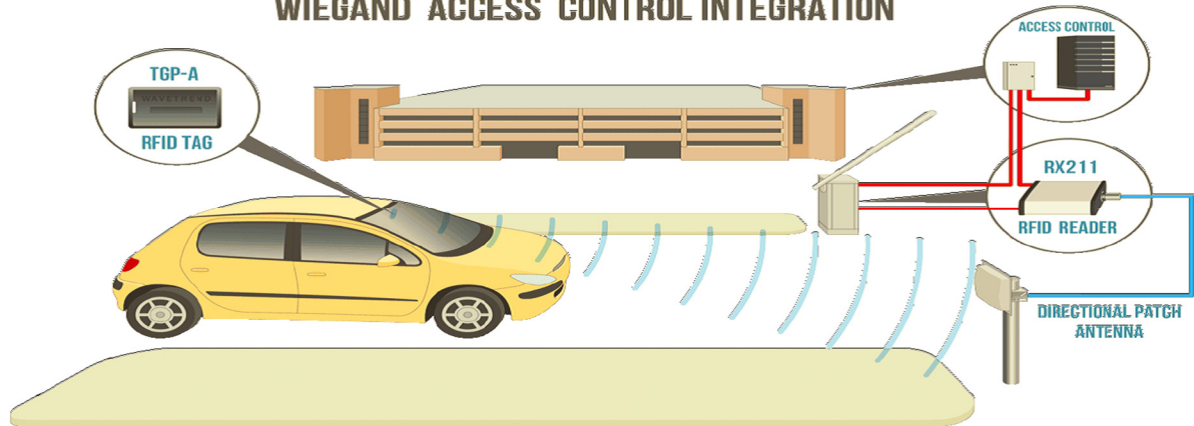
## Example Muster Report – December 5, 2016 3:29:13 PM

Status	Name	Last Seen At	Date/Time
Onsite	Collins, Eric D	Main Gate – Inbound	Dec 5, 2016 7:44:15 AM
Onsite	Roth, Philip	Building Entry - Inbound	Dec 5, 2016 7:44:42 AM
Onsite	Smith, Susan M	Building Entry - Inbound	Dec 5, 2016 7:45:09 AM
Onsite	Jones, Fred R	Main Gate – Inbound	Dec 5, 2016 8:01:10 AM
Offsite	Hamilton, Franklin	Main Gate - Outbound	Dec 5, 2016 3:27:01 PM
Offsite	Doystoevski, Fyodor	Main Gate - Outbound	Dec 5, 2016 3:27:25 PM
Grounds	Doe, John M	Building Exit - Outbound	Dec 5, 2016 3:27:56 PM
Grounds	Williams, Martha J	Building Exit - Outbound	Dec 5, 2016 3:28:01 PM
Onsite	Faulkner, William	Cafeteria	Dec 5, 2016 3:28:03 PM
Grounds	Hesse, Hermann	Parking Lot Zone C	Dec 5, 2016 3:28:44 PM
Offsite	Cobb, Tyrus R	Delivery Gate – Outbound	Dec 5, 2016 3:29:12 PM
Offsite	White, Elizabeth	Main Gate - Outbound	Dec 5, 2016 3:29:13 PM



# SmartTraxx Software

## WIEGAND ACCESS CONTROL INTEGRATION



A single instance of SmartTraxx software supports unlimited data views and data fields about people and objects. SmartTraxx delivers state-of-the-art personnel, asset, equipment, tool and related tracking capabilities within a single database instance. SmartTraxx can be utilized as a cloud or local implementation, in both cases with browser-based software user interface. SmartTraxx supports mobile computing and RFID scanning with phones, tables and portable scanners. SmartTraxx is a robust J2EE framework that supports high-performance and high-security open-source and licensed server stacks.

### Representative Customers

U.S. Air Force  
U.S. Department of Homeland Security  
U.S. Department of Transportation  
U.S. Department of Labor  
U.A.E. Department of Civil Defense  
Saudi Arabia Royal Guard  
Trinidad-Tobago Police Services  
Canada Supreme Court  
Botswana Ministry of Infrastructure  
Royal Bermuda Regiment  
Tanzania Government Pension Fund  
Nigeria Civil Service Commission  
Grenada Port Authority  
Barbados Solicitor General's Office  
State of New Jersey Court System  
State of Maryland Prosecutors Office  
State of Washington School System  
State of Arizona Crime Lab  
City of Chicago Housing Authority



### Virtual Doxx Corporation

[www.personnelmustering.com](http://www.personnelmustering.com)

[www.virtualdoxx.com](http://www.virtualdoxx.com)

[info@virtualdoxx.com](mailto:info@virtualdoxx.com)

877-280-RFID (7343)

**Contact our Local Distributor**